

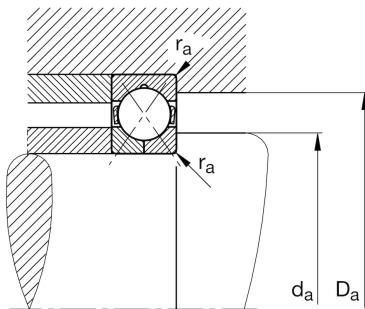
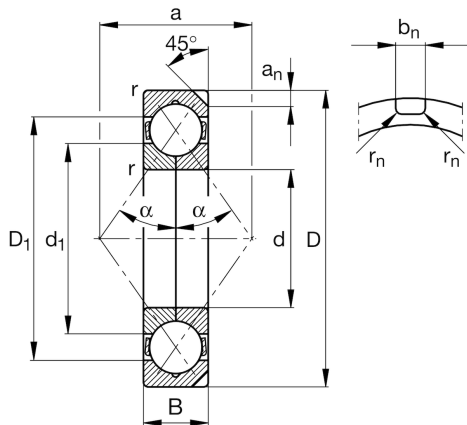
FAG

QJ232-N2-MPA-C3

Four-point contact bearing

Schaeffler ID:
0192614030030Four point contact bearing QJ2..-N2-MPA,
holding grooves, solid brass cage

Technical information



Main Dimensions & Performance Data

d	160 mm	Bore diameter
D	290 mm	Outside diameter
B	48 mm	Width
C _r	370.000 N	Basic dynamic load rating, radial
C _{0r}	530.000 N	Basic static load rating, radial
C _{ur}	20.500 N	Fatigue load limit, radial
n _G	4.050 1/min	Limiting speed
n _{gr}	2.200 1/min	Reference speed
	15,3 kg	Weight

Dimensions

r _{min}	3 mm	Minimum chamfer dimension
D ₁	240 mm	Shoulder diameter outer ring
d ₁	208,1 mm	Shoulder diameter inner ring
a	158 mm	Distance between the apexes of the pressure cones
a _n	12,7 mm	Height retaining slot
b _n	10,5 mm	Width retaining slot
r _n	2 mm	Radius retaining slot
	45 °	Angle retaining slot
α	35 °	Contact angle

Mounting dimensions

d _{a min}	174 mm	Minimum diameter shaft shoulder
D _{a max}	276 mm	Maximum diameter of housing shoulder
r _{a max}	2,5 mm	Maximum fillet radius

Temperature range

T _{min}	-30 °C	Operating temperature min.
T _{max}	200 °C	Operating temperature max.